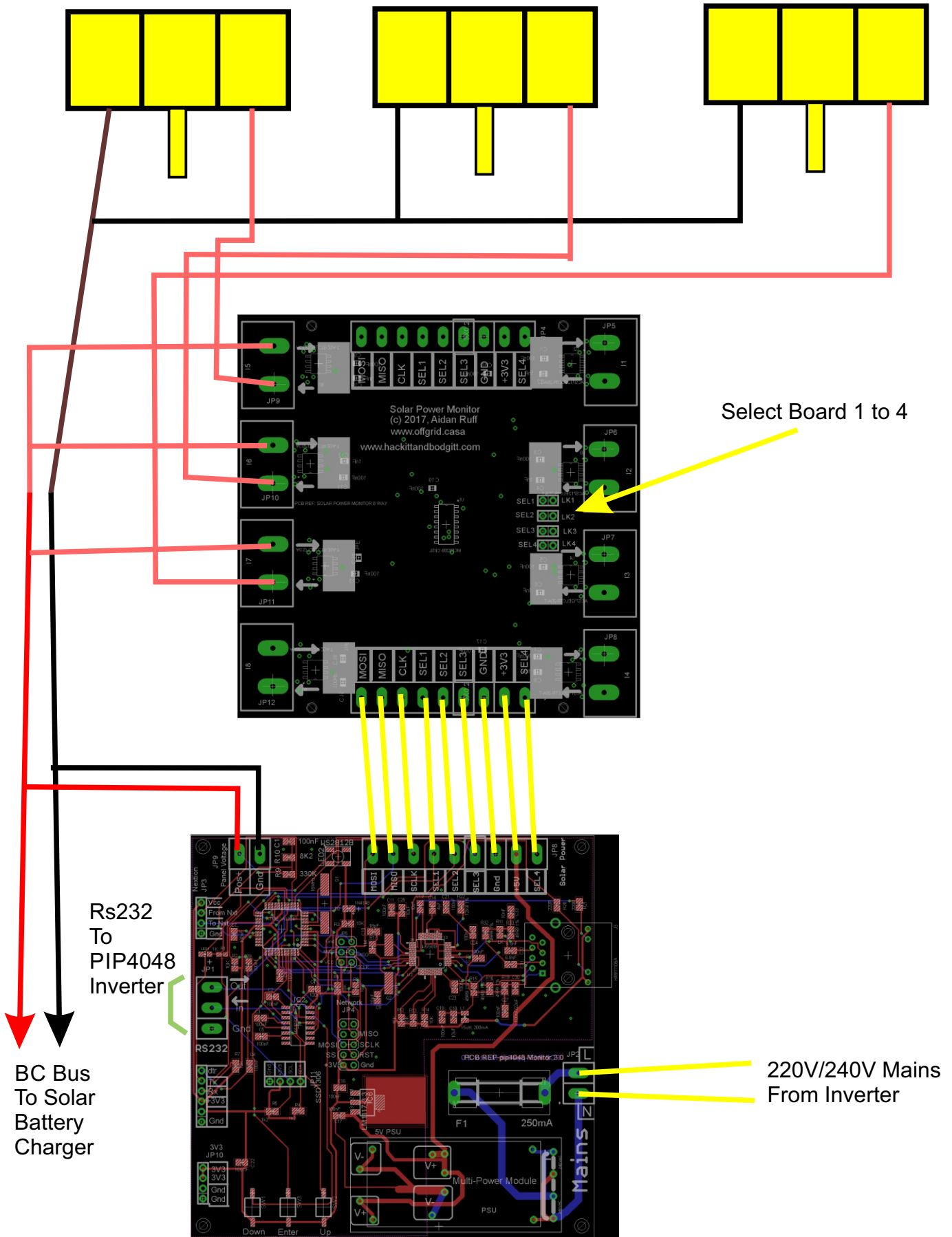


# Solar Arrays



Select Board 1 to 4

Rs232  
To  
PIP4048  
Inverter

BC Bus  
To Solar  
Battery  
Charger

220V/240V Mains  
From Inverter

Solar Array Power Monitor  
With Serial Interface to  
MPPSolar PIP4048  
Offgrid Inverter/Charger  
© 2018, Aidan Ruff